

WCS Series

WCS2380



23.8" Touch All-in-One System PPC with Intel Processor



PCAP



Fanless



True Flat



VESA



Low Power



- Slim Metal Housing & Light weight design
- 16:9 Full HD 1920 x 1080 resolution TFT LCD Panel
- True Flat with 10 point capacitive multi-touch type
- Rich I/O ports provide excellent peripheral connectivity
- Passive Cooling (fanless)
- 1 Pogo Pin landscape for optional accessories:
MSR module, 2D Barcode scanner module, NFC module



Vending Machine



Fitness Club



Restaurant Ordering



Gaming Lottery



Interactive Kiosk

Specification

WCS2380

Display

Display Type	23.8" TFT LCD
Resolution	1920 x 1080 pixel
Brightness	250 nits
Contrast Ratio	1000
Viewing Angle	Horizontal 178° / Vertical 178°
Touch screen type	Projected Capacitive (10 Points)

Main System

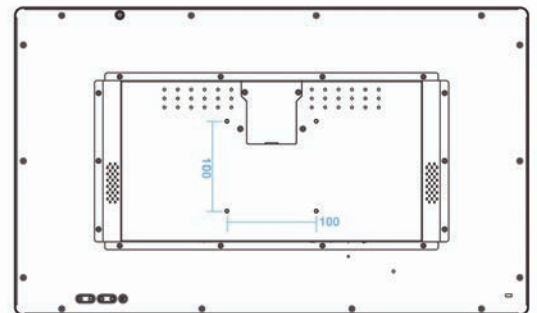
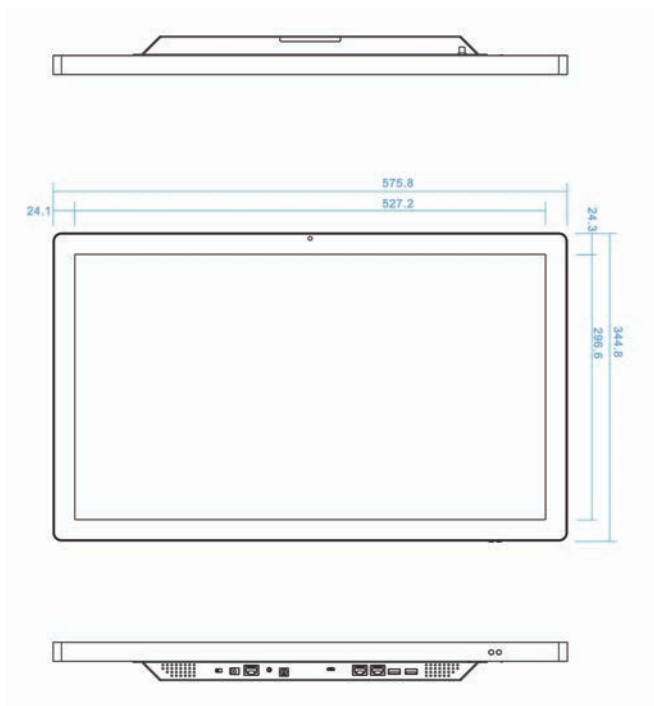
Processor	Intel Celeron Processor N3160
Graphics	Intel HD Graphics Gen8
Memory	DDR3L 1600 4GB Standard
Storage	64GB M.2 2242 SSD TLC
Audio	Realtek ALC282
System I/O	1 x HDMI (Type C) 1 x SPDIF 2 x USB 3.0 1 x USB2.0 (Up side) 1 x Micro USB2.0 1 x SD Card Slot 1 x Combo JACK
Ethernet	1 x RJ45 10/100/1000 Mbps connector
COM	2 x RJ45 type (default 0V; 0V/5V/12V by jumper setting)
Wireless Communication	Wi-Fi 802.11 b/g/n (option) BT4.0 (option)
OS Support	Windows Embedded POSReady 7 (64bit) Windows Embedded Industry 8.1 (64bit) Windows 10 IoT (64bit)

Physical

Housing	Metal
System indicators	1 x Power LED
Physical Button	1 x Power button, 5 x Function Key
Speaker	2 x 3W
Power	Input: AC 100-240Vac, 1.5A; 50-60Hz Output: DC 12Vdc/5A
Energy Efficiency Rating	DOE Level VI
RoHS	Yes
Operating temperature	0°C ~ 40°C (32°F ~ 104°F)
Storage temperature	-10°C ~ 55°C (14°F ~ 131°F)
Humidity	Storage: 10% ~ 90% (Non-Condensing)
Dimensions	576 mm x 345 mm x 43 mm
Weight	7.65 kg
Mounting	VESA 100x100
Certification	CE, FCC
Optional Accessory	MSR module, 2D Barcode scanner module, NFC module
Warranty	2 year

Dimensions & Drawing

Unit : mm



unit : mm

